

REQUEST FOR QUOTATION

Section 52.1b - Shopping

RFQ NO. 2024-09-0971
DATE: 19-Sep-2024

COMPANY NAME :
COMPANY ADDRESS :
CONTACT PERSON :
CONTACT NO. :
COMPANY TIN :

RRCY-2024-09-0971

POSTED
GEPS REF. No. 11270677
DATE: 20 SEP 2024
SIGNATURE: _____

Sir/Madam:

Please quote your government price/s including delivery charges, VAT or other applicable taxes, and other incidental expenses for the goods listed in **Annex A**. Failure to indicate **TECHNICAL SPECIFICATIONS** could be basis for non-compliance. Also, furnish us with the descriptive brochures, catalogues, literatures and/or samples, if applicable.

If you are the exclusive manufacturer, distributor or agent in the Philippines for the goods listed in Annex A please attach in your quotation a duly notarized certification to this effect.

Please submit this form together with Annex A to **DSWD FO IX BAC OFFICE** on or before *Sept. 24, 2024, 09:00 AM*

Very truly yours,

[Signature]
ROLANDO V. CUEVA
Regional Procurement Officer

Terms and Conditions:

- PURPOSE** : CUSTOMIZED BED FOR RRCY RESIDENTS EXPENSES
- PR NUMBER** : 2024 - 09- 971
- 1. Award shall be made on per : Item Basis Lot Basis
- 2. Quotation validity : 30 CALENDAR DAYS FROM BID OPENING
- 3. Goods shall be delivered on : 10 CALENDAR DAYS UPON RECEIPT OF NTP
- 4. Delivery Area : RRCY POLANCO
- 5. Terms of payment : W/ IN 60 CALENDAR DAYS AFTER DELIVERY
- 6. Liquidated Damages/Penalty : 1/10 of 1% of undelivered portion x No. of days of delay
- 7. In case of discrepancy between unit cost and total cost, unit cost shall prevail.
- 8. Warranty : N/A
- 9. Performance Security : N/A

(signature over printed name)

Supplier

PHILGEPS NO.: _____

PHILGEPS EXPIRY: _____





COMPANY NAME DEPARTMENT OF SOCIAL WELFARE AND DEVELOPMENT
 COMPANY ADRES GENERAL VICENTE ALVEREZ STREET ZC
 CONTACT PERSON RICHELLE A. INSONG
 CONTACT NO. 9052448045

Section 52.1b - Shopping

ANNEX A: RFQ
 RFQ NO. : 2024-08-0871
 DATE : 2024-08-18

ITEM NO.	QTY.	UNIT	PURCHASER'S SPECIFICATIONS	TOTAL AMT	BIDDER'S SPECIFICATIONS	UNIT COST	TOTAL COST
1	30	UNIT	CUSTOMIZED BED FOR RESIDENTS , HARDWOOD XXX PLS SEE ATTACHED OTHER SPECS	396,000.00			
PURPOSE : CUSTOMIZED BED FOR RRCY RESIDENTS EXPENSES							
PR. NO. : 2024 - 08 - 0971							

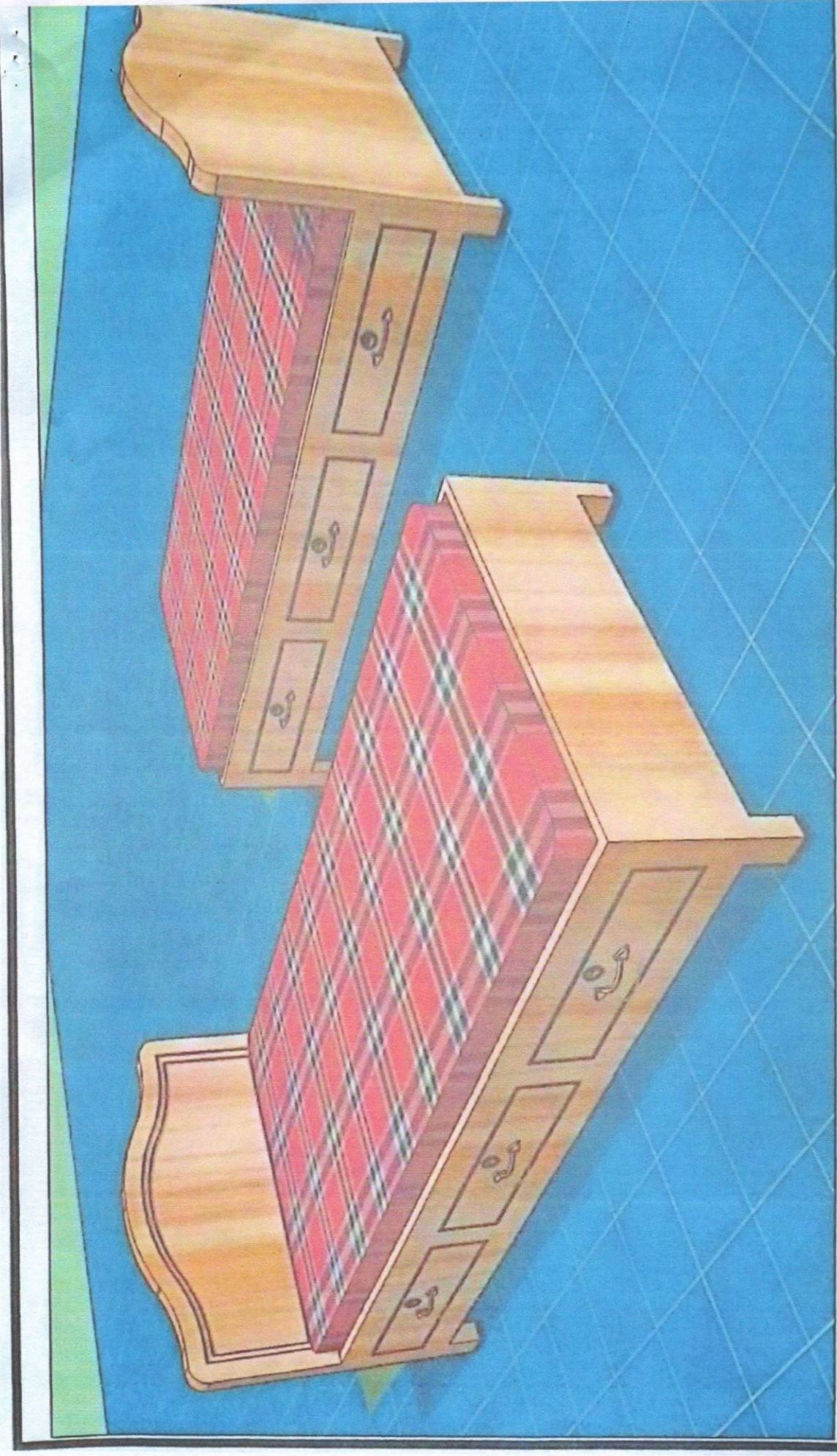
DOCUMENTS REQUIRED DURING RFQ OPENING:
 1. Mayor's Permit
 2. Philgeps Registration Number

CANVASSER

DSWD Field Office K, General Vicente Alvarez Street, Zamboanga City, Philippines 7000
 Website: <http://www.dswd.gov.ph> Email: info@dswd.gov.ph Tel No.: (082) 991-8030/991-8066 Telefax: (082)993-0862

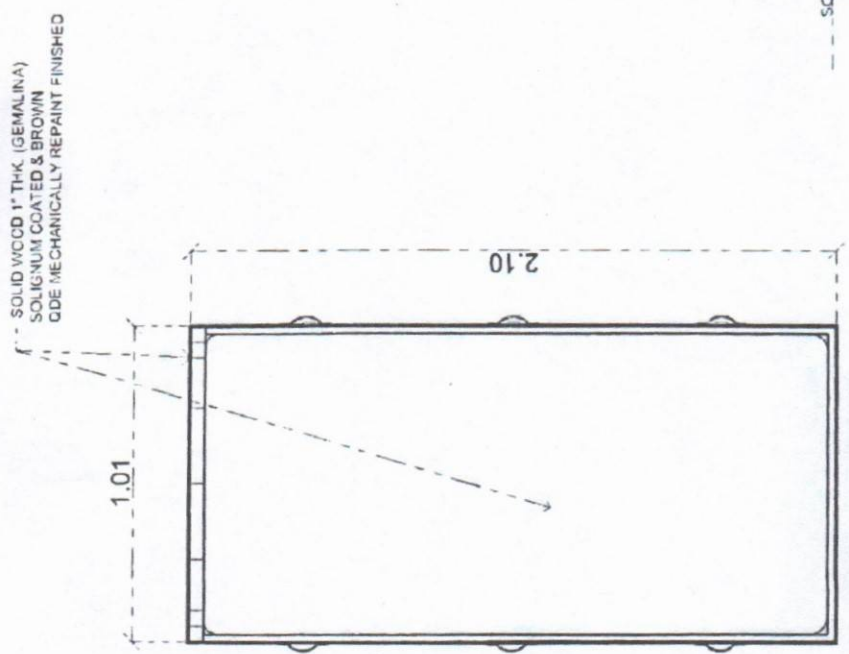
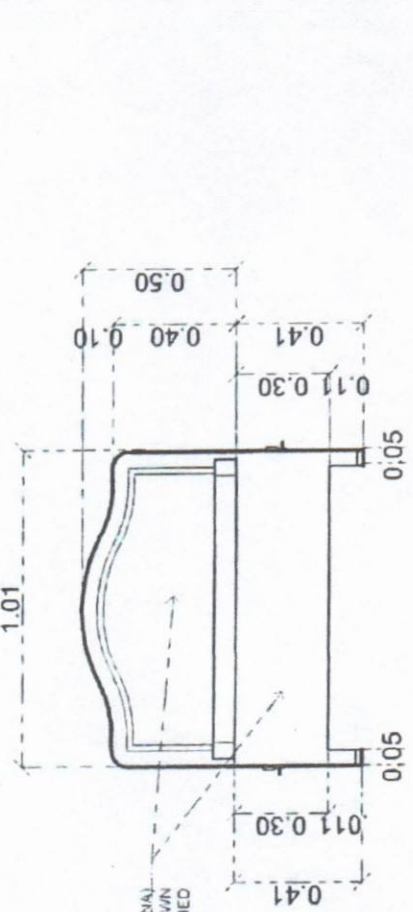
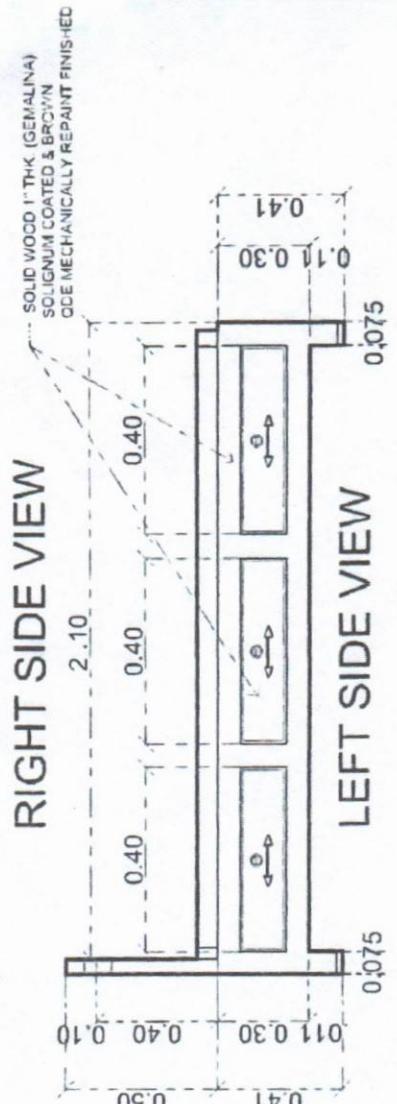
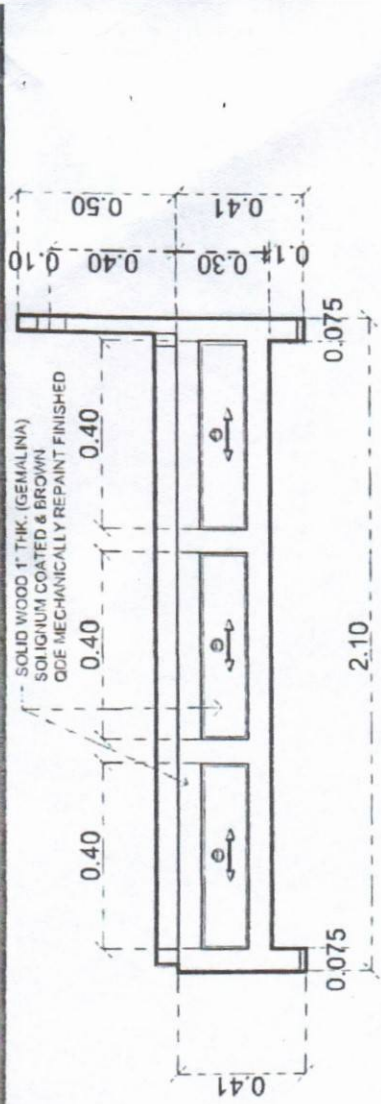


(SIGNATURE OVER PRINTED NAME)
 SUPPLIER



WOODEN BED

WOODEN BED
ISOMETRIC VIEW
SCALE 1:100 NTS



SOLID WOOD 1" THK. (GEMALINA)
SOLIGNUM COATED & BROWN
GDE MECHANICALLY REPAINT FINISHED

SOLID WOOD 1" THK. (GEMALINA)
SOLIGNUM COATED & BROWN
GDE MECHANICALLY REPAINT FINISHED

SOLID WOOD 1" THK. (GEMALINA)
SOLIGNUM COATED & BROWN
GDE MECHANICALLY REPAINT FINISHED