

REQUEST FOR QUOTATION

Section 53.9b - SVP - Goods

RFQ NO. 02-0176
DATE: February 28, 2023

COMPANY NAME
COMPANY ADDRESS
CONTACT PERSON
CONTACT NO.
COMPANY TIN

Sir/Madam:

Please quote your government price/s including delivery charges, VAT or other applicable taxes (including incidental expenses 10% of the goods listed in **Annex A**. Failure to indicate **TECHNICAL SPECIFICATIONS** could be basis for non-compliance. Also, furnish us with the descriptive brochures, catalogues, literatures and/or samples, if applicable.

If you are the exclusive manufacturer, distributor or agent in the Philippines for the goods listed in Annex A please attach in your quotation a duly notarized certification to this effect.

Please submit this together with Annex A to **DSWD FO IX BAC OFFICE** on or before

08 MAR 2023 @ 05:00 P.M

Very truly yours,

[Signature]
RENATO G. FOJAS
Regional Procurement Officer

Terms and Conditions:

PURPOSE	Furniture for PSD
PR NUMBER	: 2023-02-0176
1. Award shall be made on per	: <input type="checkbox"/> Item Basis <input checked="" type="checkbox"/> Lot Basis
2. Quotation validity	: 30 CALENDAR DAYS FROM BID OPENING
3. Goods shall be delivered on	: 20 Calendar days upon receipt of approved NTP
4. Delivery Area	: DSWD FO IX ZAMBOANGA CITY
5. Terms of payment	: W/ IN 60 CALENDAR DAYS AFTER DELIVERY
6. Liquidated Damages/Penalty	: 1/10 of 1% of undelivered portion x No. of days of delay
7. In case of discrepancy between unit cost and total cost, unit cost shall prevail.	
8. Warranty	: <u>N/A</u>
9. Performance Security	: <u>N/A</u>

Department of Social Welfare and Development - FOIX
BIDS AND AWARDS COMMITTEE

For Posting

Received by: Fedawn

Date & Time: 03/01/2023

Remarks: Posting

Please email your accomplished request for QUOTATION and ANNEX A at bacrfqfoix@dswd.gov.ph or bacrfqfoix@gmail.com

(signature over printed name)

Supplier

PHILGEPS NO.: _____
PHILGEPS EXPIRY: _____

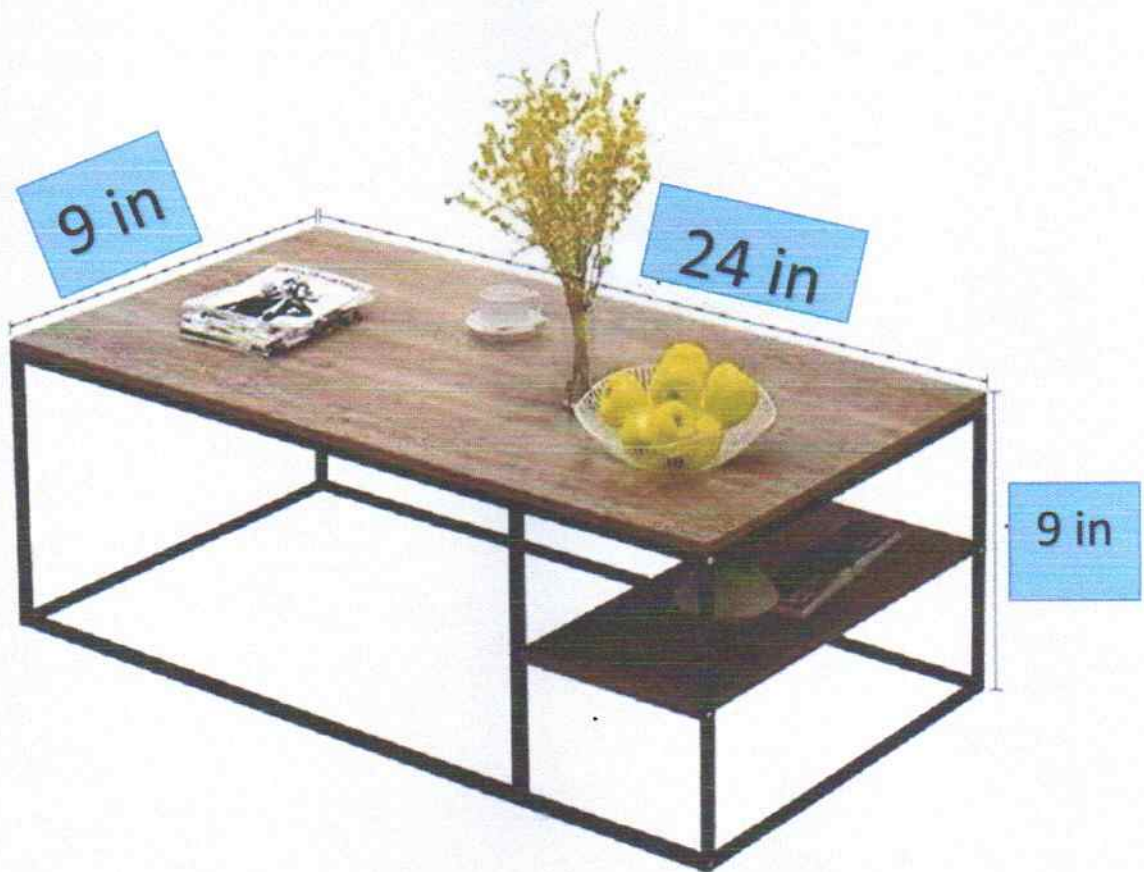
**CUSTOMIZED COATED METAL
PLANT BOX**

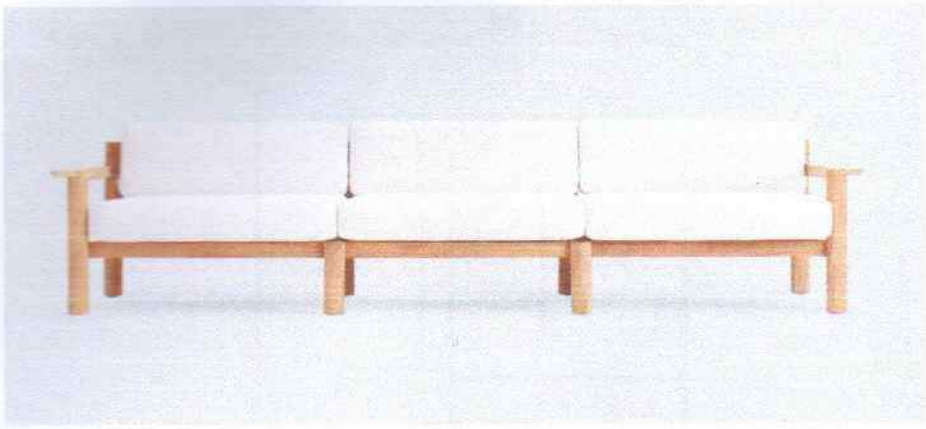


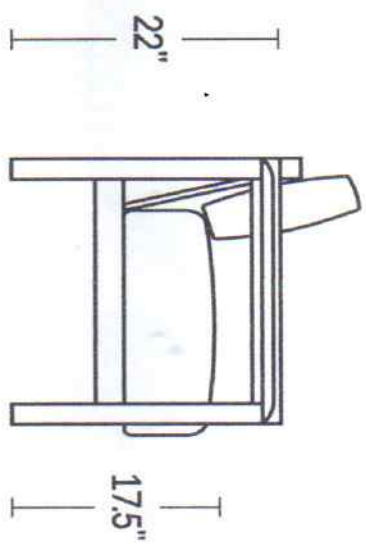
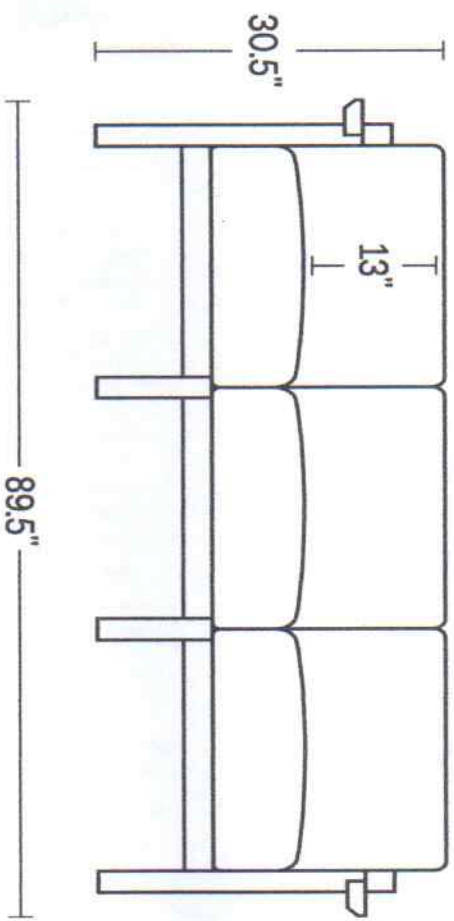
W 110 CM X H100CM

Center Table Stainless Steel

Leg







22"