

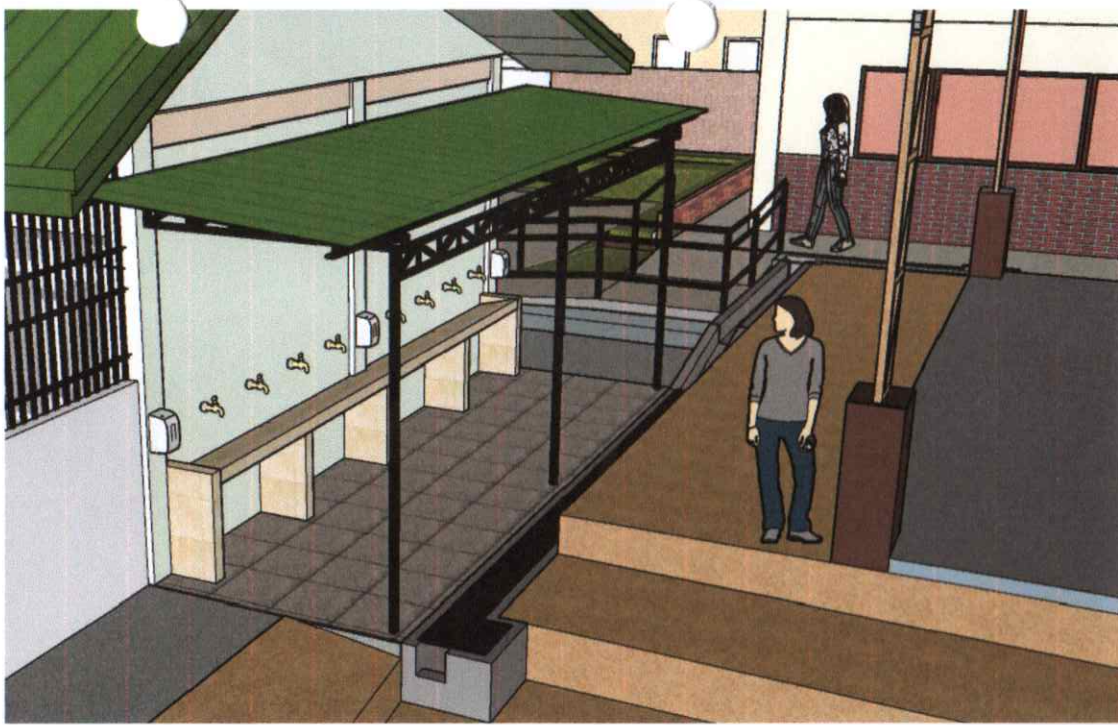
REPUBLIC OF THE PHILIPPINES
DEPARTMENT OF SOCIAL WELFARE AND DEVELOPMENT
 GEN. VICENTE ALVAREZ STREET, ZAMBOANGA CITY

PLANS

FOR THE PROPOSED
IMPROVEMENT OF HAND WASHING AREA
AT BALAY DANGPANAN SA KABATAAN (BDSK)
 ANASTACIO POLANCO, ZAMBOANGA DEL NORTE

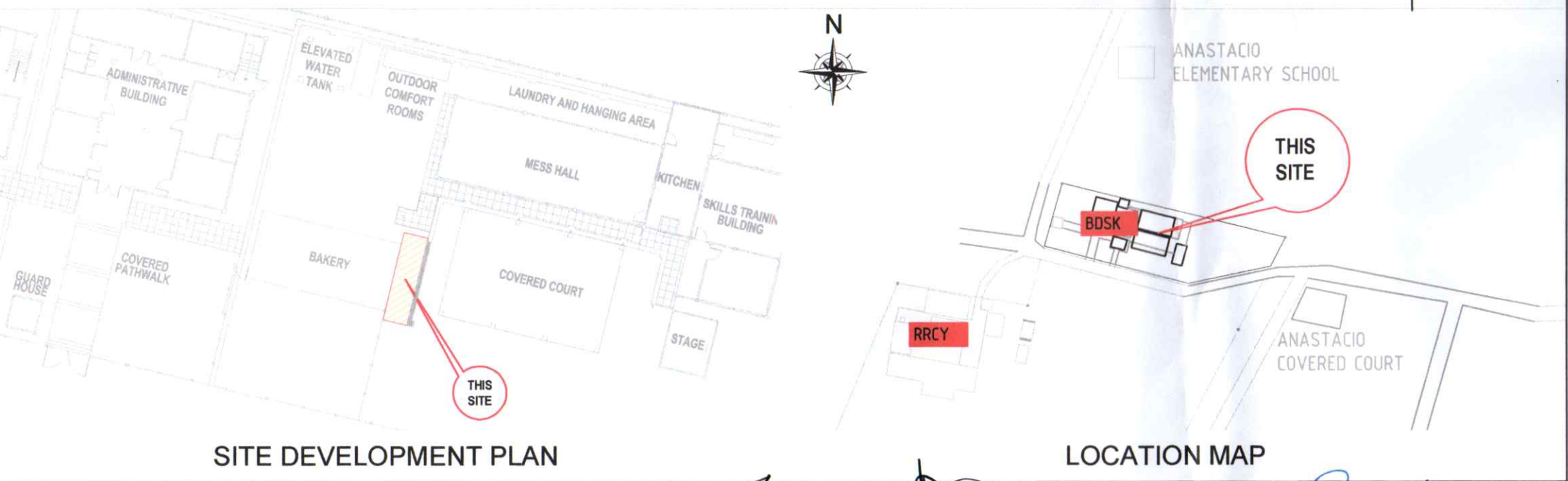


PROJECT TITLE	PREPARED BY	CHECKED/REVIEWED BY	DESIGNED BY	SUBMITTED BY	RECOMMENDING APPROVAL	APPROVED BY	SHEET NO.
IMPROVEMENT OF HAND WASHING AREA	JOSEPHINE T. BULANON, CE, RMP SITE ENGINEER	ERIS V. PEGRINO, CE POD	ROLEISTEC, ANLSS, CE AO-W/CD/SE/PLNT	REBECCA GUILLERMO, SWO III BDSK CENTER HEAD	MA. SOCORRO S. MACASO, SWOV OIC-PSD CHIEF	ATTY. SITIE RAIFAH PAMALUY-HASSAN OIC-REGIONAL DIRECTOR	AR-01 01 06
<small>CONTRACT NO. BDSK ANASTACIO POLANCO ZAMBOANGA DEL NORTE</small>							



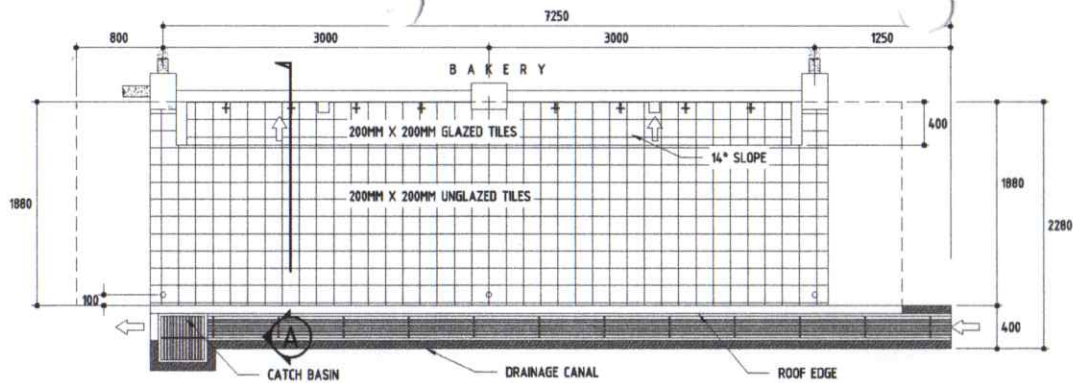
PERSPECTIVE

TABLE OF CONTENTS		Republic of the Philippines OFFICE OF THE BUILDING OFFICIAL
AR-1	PROJECT TITLE	
AR-2	PERSPECTIVE SITE DEVELOPMENT PLAN LOCATION MAP	LAND USE AND ZONING
AR-3	FLOOR PLAN ROOF PLAN FRONT VIEW LEFT SIDE ELEVATION RIGHT SIDE ELEVATION SECTION 'A' DETAIL	LINE AND GRADE
ST-1	FOUNDATION PLAN ROOF FRAMING PLAN BEAM/SLAB TRUSS DETAIL	ARCHITECTURAL
ST-2	CATCH BASIN DETAIL DRAINAGE CANAL DETAIL DRAINAGE CANAL BELOW LP PIPE FOOTING DETAIL PIPE FOOTING DETAIL	STRUCTURAL
PL-1	PLUMBING PLAN PLUMBING ISOMETRIC	ELECTRICAL
		MECHANICAL
		SANITARY
		PLUMBING
		ELECTRONICS
		GEODETIC ENGINEER

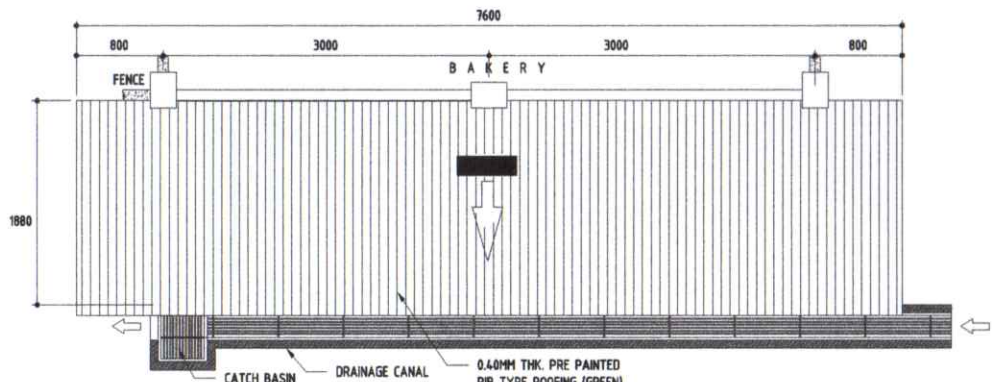


SITE DEVELOPMENT PLAN

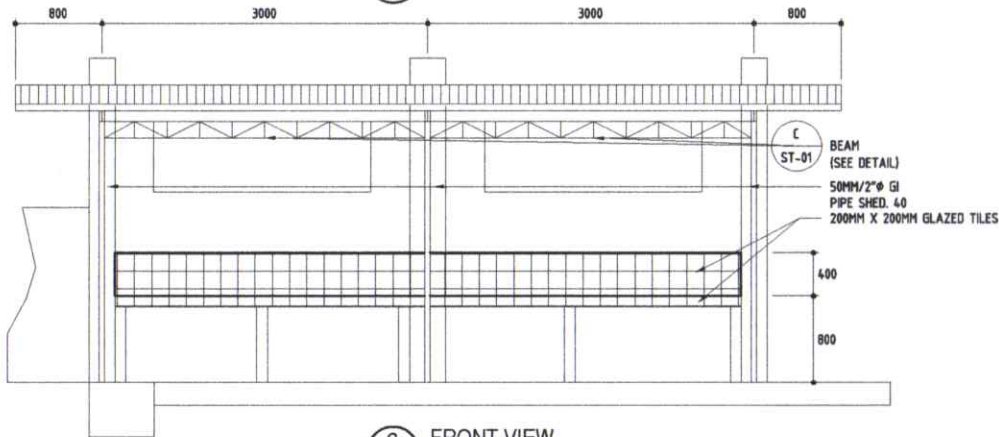
LOCATION MAP



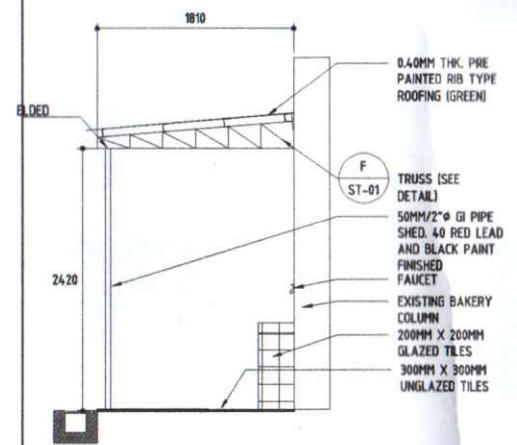
A FLOOR PLAN
AR-3 SCALE 1/100H



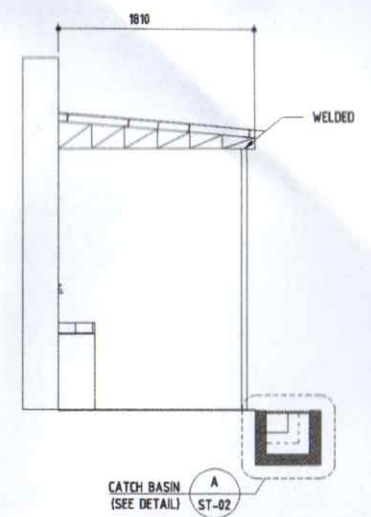
B ROOF PLAN
AR-3 SCALE 1/100H



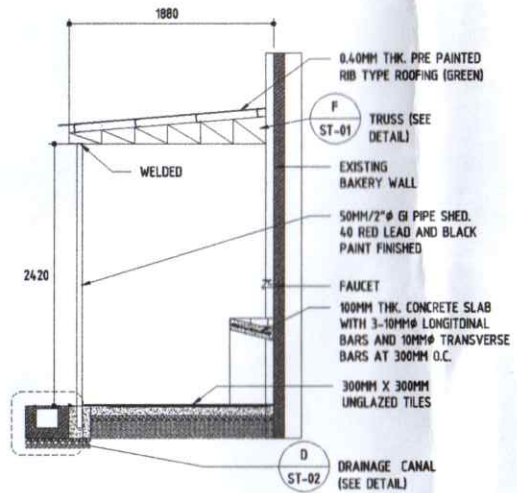
C FRONT VIEW
AR-3 SCALE 1/100H



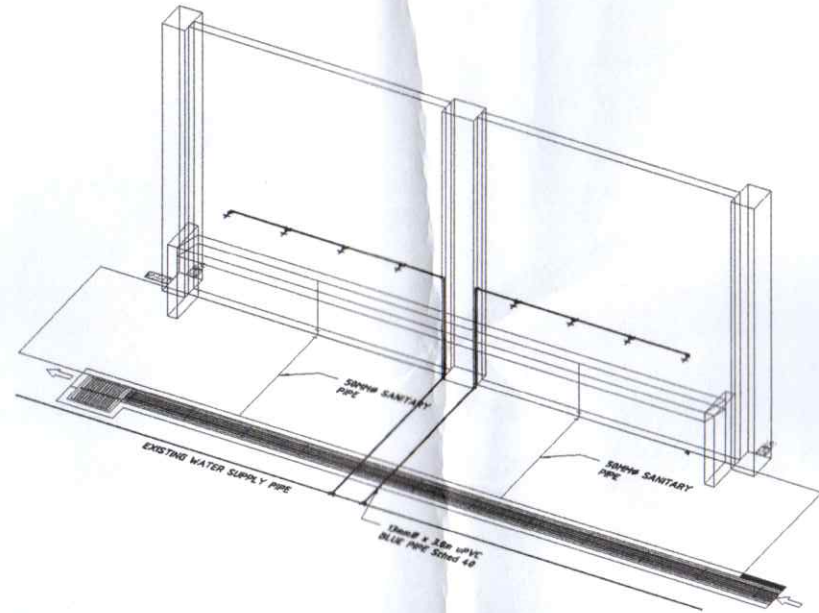
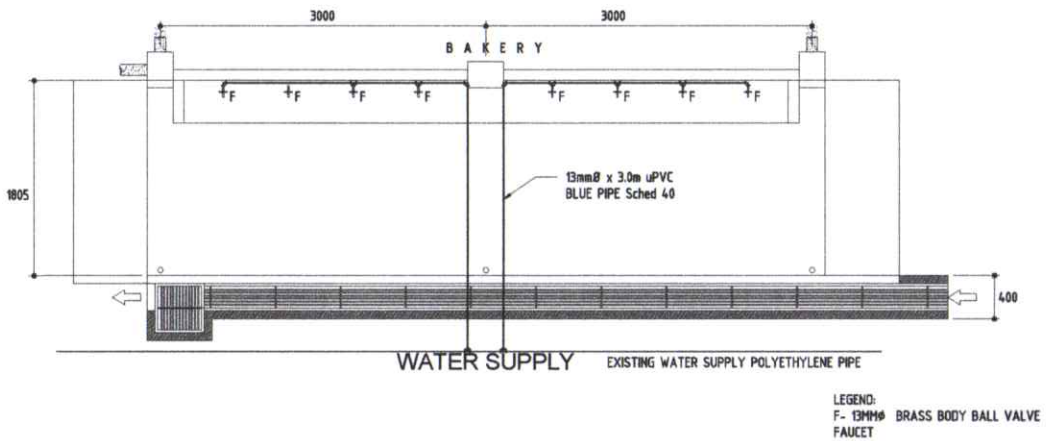
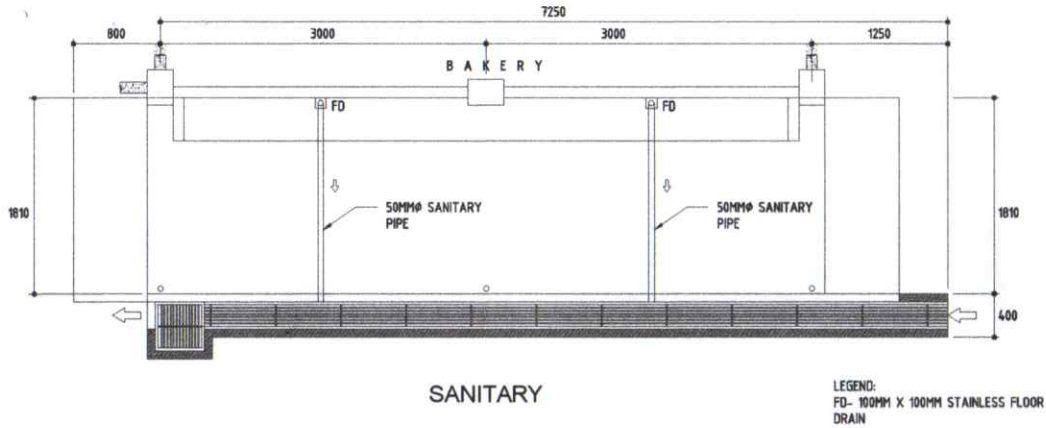
D RIGHT SIDE VIEW
AR-3 SCALE 1/100H



E LEFT SIDE VIEW
AR-3 SCALE 1/25H



F SECTION "A" DETAIL
AR-3 SCALE 1/100H



B PLUMBING ISOMETRIC
PL-1 SCALE 1/25H

A PLUMBING PLAN
PL-1 SCALE 1/50H

PROJECT TITLE IMPROVEMENT OF HAND WASHING AREA	PREPARED BY <i>Josephine T. Bulanon, CE, RMP</i> JOSEPHINE T. BULANON, CE, RMP DATE SITE ENGINEER	CHECKED/REVIEWED BY <i>ERIS V. Peregrino, CE</i> ERIS V. PEREGRINO, CE DATE P.D. #	REVIEWED BY <i>ROLISTO G. FALSIS, CE</i> ROLISTO G. FALSIS, CE DATE AD-VI GEN. SERV. UNIT	SUBMITTED BY <i>Rebecca P. Guillermo, SWO III</i> REBECCA P. GUILLERMO, SWO III DATE BOSK CENTER HEAD	RECOMMENDING APPROVAL <i>MA. SOCORRO S. MACASO, SWO V</i> MA. SOCORRO S. MACASO, SWO V DATE OIC/PSD CHIEF	APPROVED BY <i>SATTY. SITTIE RAIFAH PAMLOY-HASSAN</i> SATTY. SITTIE RAIFAH PAMLOY-HASSAN DATE OIC REGIONAL DIRECTOR	SHEET CONTENT PLUMBING PLAN PLUMBING ISOMETRIC	SHEET NO. PL-01 06 06 CODE
--	---	--	---	---	---	---	--	--