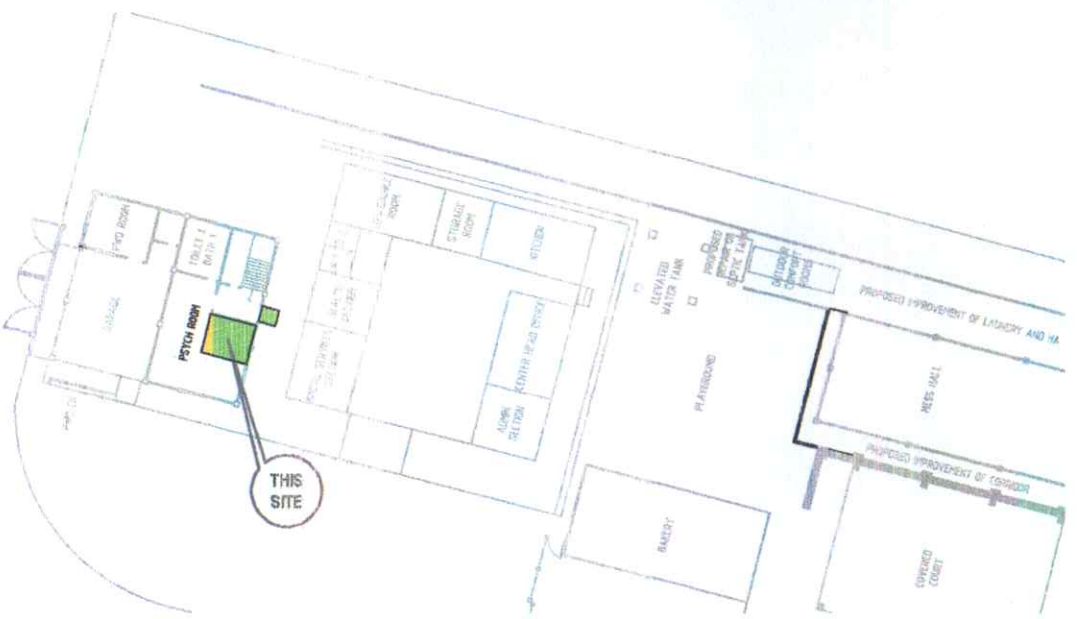


| TABLE OF CONTENTS | |
|-------------------|--|
| AR-1 | TITLE PAGE |
| AR-2 | PROPOSED SITE DEVELOPMENT PLAN LOCATION MAP |
| AR-3 | FLOOR PLAN ELEVATION |
| AR-4 | FRONT VIEW LEFT SIDE VIEW SECTION "A-C" (DETAIL) SECTION "D-E" (DETAIL) |
| ST-1 | RAMP PROTECTION DETAIL RAMP DETAILS CHISTOILING DETAIL |

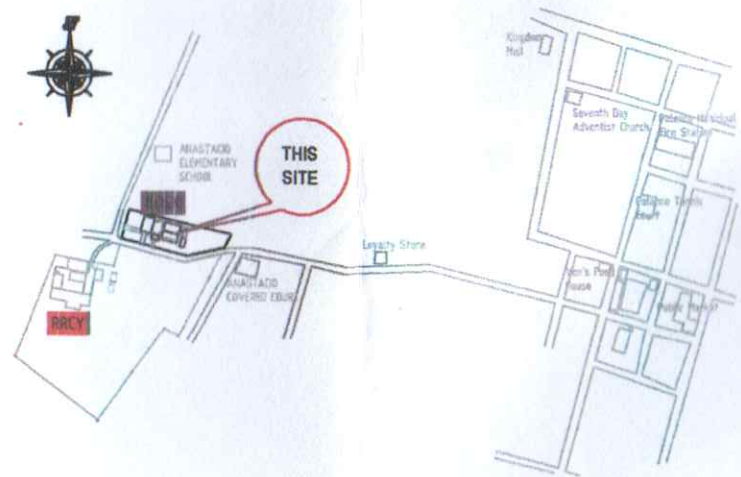
| |
|---------------------|
| LAND USE AND ZONING |
| LINE AND GRADE |
| ARCHITECTURAL |
| STRUCTURAL |
| ELECTRICAL |
| MECHANICAL |
| SANITARY |
| PLUMBING |
| ELECTRONICS |
| GEODETIC ENGINEER |



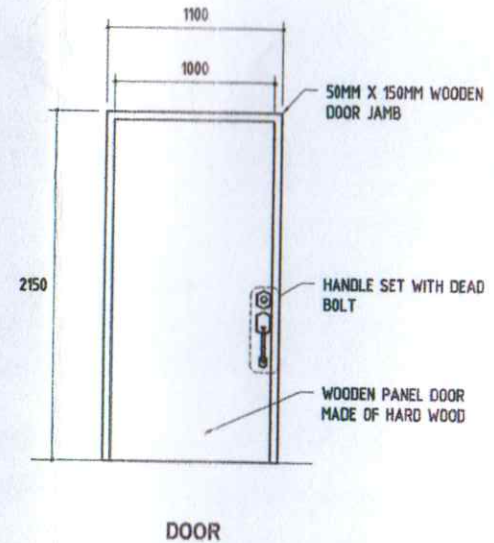
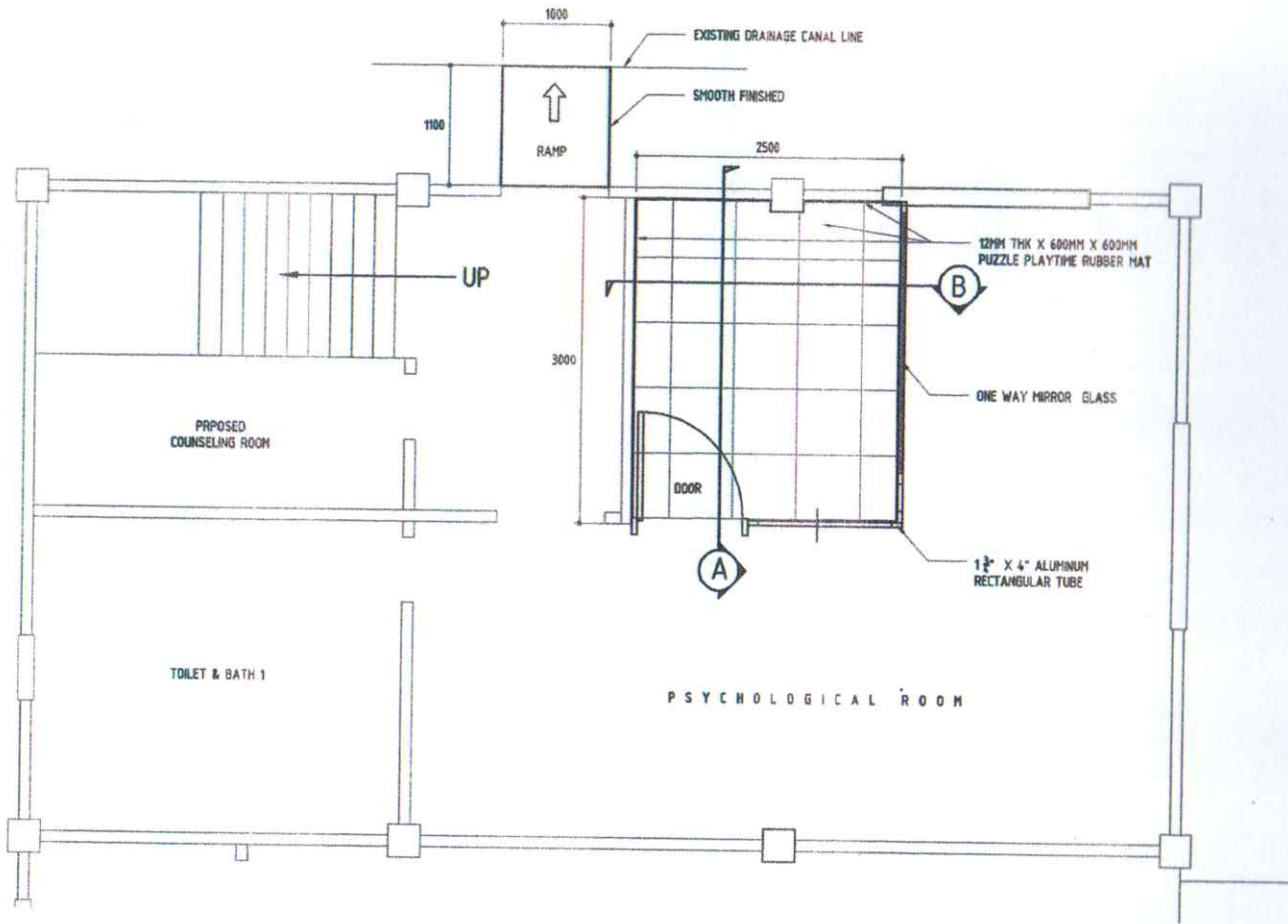
PERSPECTIVE



SITE DEVELOPMENT PLAN



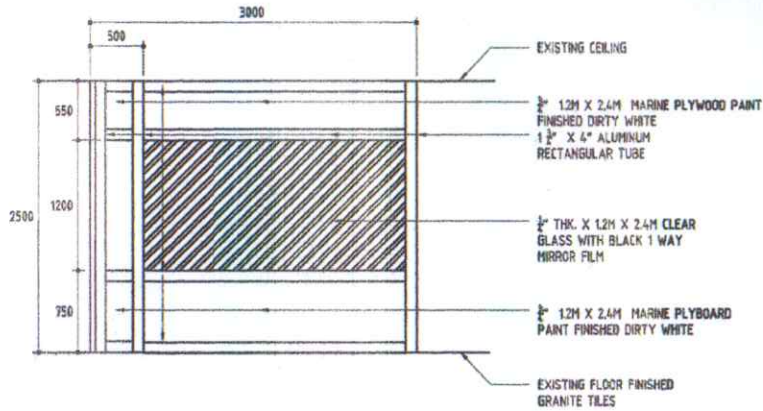
LOCATION MAP



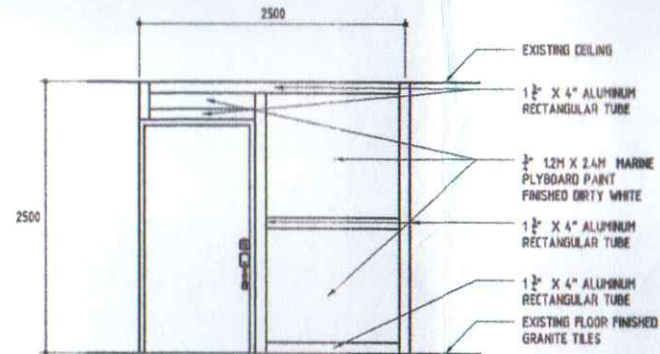
A FLOOR PLAN
SCALE 1:600

B DOOR DETAILS
SCALE 1:400

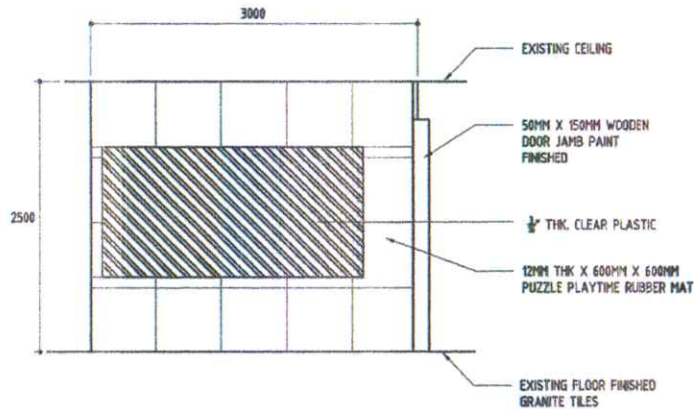
| | | | | | | | |
|---|---|---|--|---|--|---|---------------------------|
| PROJECT TITLE IMPROVEMENT OF PSYCHOLOGICAL ROOM | PREPARED BY JOSEPHINE P. TESTA-SULANON, CE, RMP SITE SUPERVISOR | CHECKED/REVIEWED BY ERISA PEREGRINO, CE PCO | REVIEWED BY ROLESTEC FALSINCE AD-4P BSRV. UNIT | SUBMITTED BY REBECCA P. GUILLERMO, SMO III BDRK CENTER HEAD | APPROVED BY MA. SOCORRO S. MACASO, SMO V DIO-PID CHIEF | SHEET CONTENT FLOOR PLAN BQ-BUNDLE OF FLOOR FINISH | SHEET NO. AR-03 |
| LOCATION: ANAYONG, POLINA, MARICOR VALLEY, BULACAN | DATE | DATE | DATE | DATE | DATE | | |



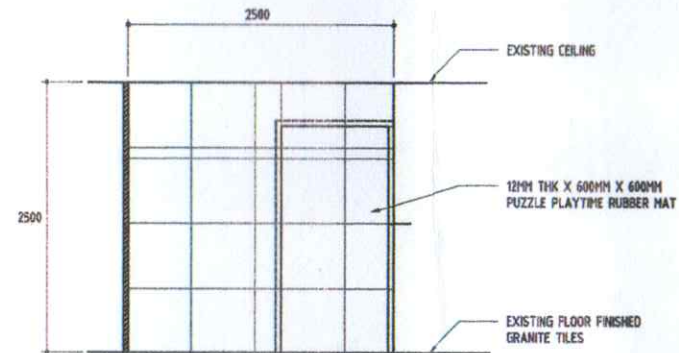
A FRONT VIEW
AR-05 SCALE 1/8"=1'-0"



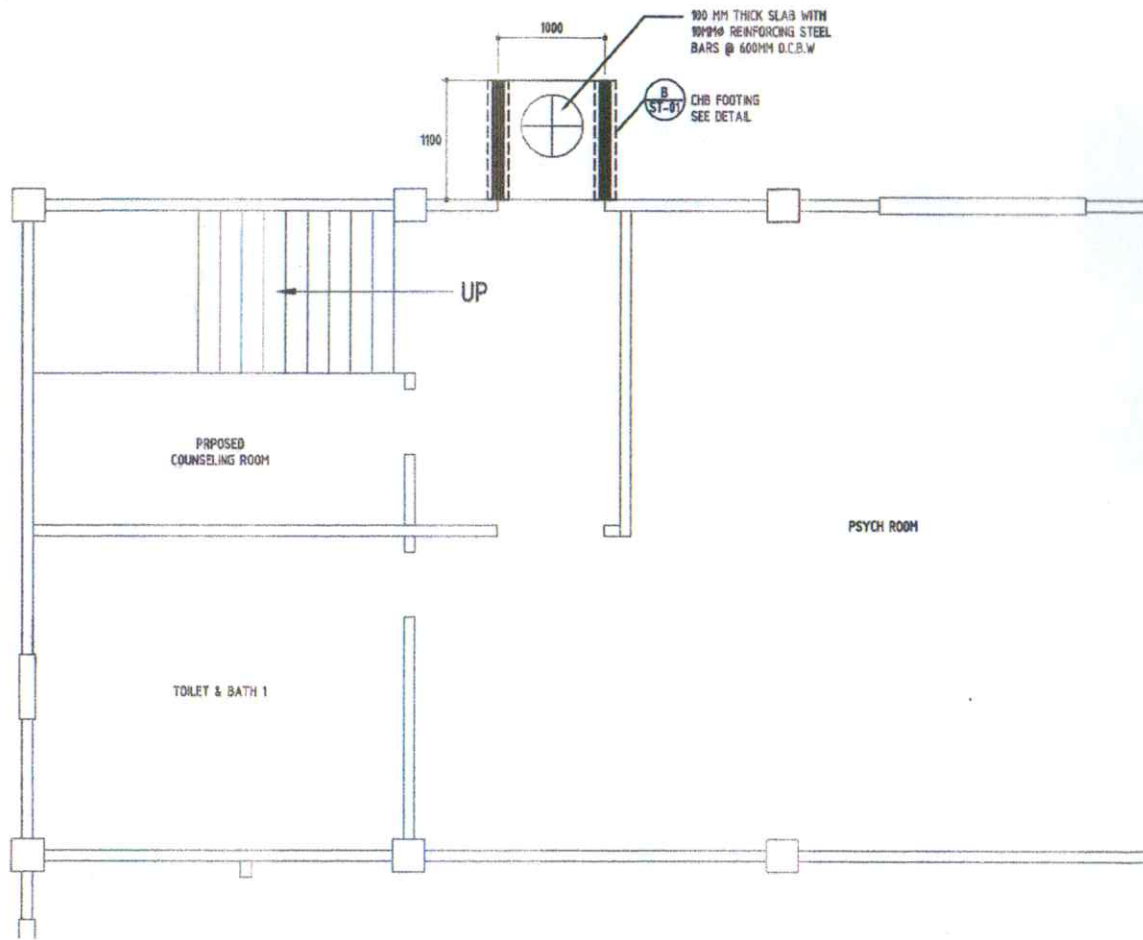
B LEFT SIDE VIEW
AR-05 SCALE 1/8"=1'-0"



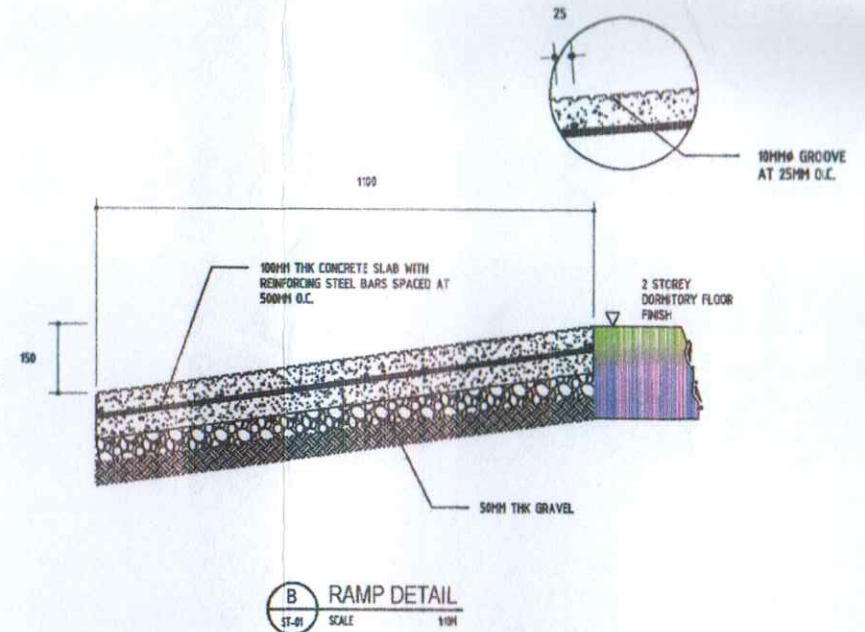
C SECTION "A" DETAIL
AR-05 SCALE 1/8"=1'-0"



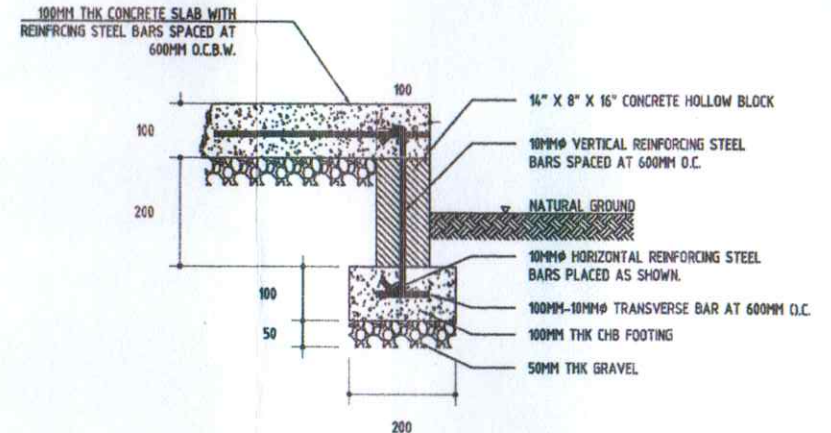
D SECTION "B" DETAIL
AR-05 SCALE 1/8"=1'-0"



A RAMP FOUNDATION PLAN
ST-01 SCALE 1:50



B RAMP DETAIL
ST-01 SCALE 1:10



C CHB FOOTING DETAIL
ST-01 SCALE 1:10